

Quad Port 10/100UTP Tap



Features

- No point of failure
- Link/Activity LEDs
- Redundant Powered
- Compact total solution
- 3 years warranty

Order Number

C4-100

The 100UTP Tap avoids downtime in your 10/100BaseT networks. Once in place it enables you to monitor full and half duplex communication and move test equipment without breaking the circuit. It mirrors any packet size, bad CRC, VLAN traffic, sees both ends of full-duplex links.

It is a quad port 10BaseT/100BaseTX Tap for half/full duplex Ethernet networks. The "no package loss" and redundant power feature makes it ideal for security applications.

The 100UTP Tap is invisible to the network and forwards IEEE 802.3af power (PoE) between the connected network devices. It is fault tolerant, bypasses data on power failure, the monitor (Tap) ports are none-intrusive to the network.

Two LEDs indicate Activity in 10Mb and Link in 100Mb speed. Activity LED A lights up when a signal is received at port A, LED B for a signal received at port B. The brightness of the Activity LED show signal strength.

The unit is 802.3af compliant and forward PoE in the Network. The Tap ports are galvanically separated from the network ports and in such way protecting your monitoring equipment.

The 100UTP Tap is redundant powered from the back. The external power can be chained as each power has 2 input sockets. Using redundant powering guarantees a maximum uptime off the tap/monitor ports. Two LEDs show the presence of power.

It has 8 RJ45 ports on the front to connect to the Monitoring Systems, and 8 RJ45 ports on the rear to connect to the network. Network ports A and B are hardware wired together. The Quad Port Tap can be used Stand Alone or be Rack Mounted. Three (3) units fit in a 1U 19 inch Rack Plate.

Included accessories :



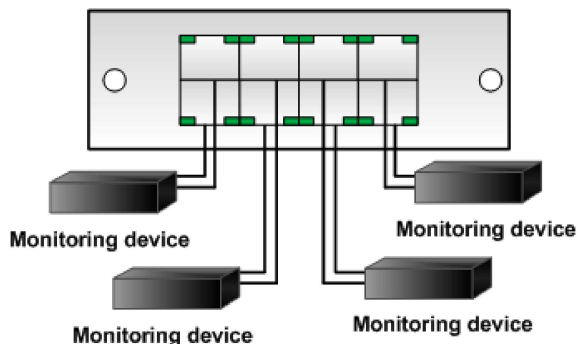
Small Power Supply

Optional accessories :

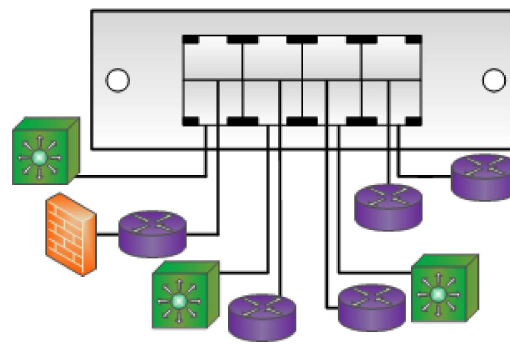


19" Rack Plate 1U (ARP1U-1M)

Filling Plate (AFP1U)



Front view



back view

Connectors : 2 x 8 RJ45, 8 pin
Power: 12V stabilized / 400mA
Operating Temperature : 0°C to 50°C
Storage Temperature : -10°C to 80°C
Humidity : 10 to 90%, non-condensing
Rigid metal enclosure, structured black oven painted
Dimensions: 14.2 x 14 x 4 cm (WxDxH)
Weight : 660 gr