

# Re-Generation 10/100UTP Tap



## Features

- No point of failure
- No package loss
- Link/Activity LEDs
- POE compliant
- Compact total solution
- 3 years warranty

## Order Number

C1-100-RG4

The Re-Generation 10/100UTP Tap allows the monitoring of one single network link by 4 full-duplex devices simultaneously.

IDS, Rmon, Probes, Analysers can be used with this regeneration tap to monitor the same segment of a network at the same time, without interfering on the network. No more impedance and interference problems due to the presence of the monitor directly connected to the network.

Once in place it enables you to monitor communications and move test equipment without breaking the circuit, preventing downtime in your Network.

The Permanent Network Link feature guarantees permanent network connectivity. Unlike SPAN ports, the Tap monitors all 7 layers at wire speed. It views any package size including errors.

The “no package loss” feature and redundant powering make it the ideal solution for security applications. Transparent to the network, it shows traffic in real time at maximum network speed. It copies all 7 layers, any package size, bad CRC, VLAN traffic, etc.

The Re-Generation 10/100UTP Tap offers a cost effective solution with unique features like Link/Activity LEDs and compliance with the 802.3af (Power over Ethernet) standard. The uninterrupted network link guarantees 24/7 uptime of your network connection, also when power fails.

The Re-Generation Tap is redundant powered from the back. Using redundant power guarantees a maximum uptime off. The external power can be chained as each power has 2 input sockets saving power sockets in a system with several units.

The Re-Generation Tap can be used Stand Alone or be Rack Mounted. Three (3) units fit in a 1U 19 inch Rack Plate.

## Included accessories :



Small Power Supply

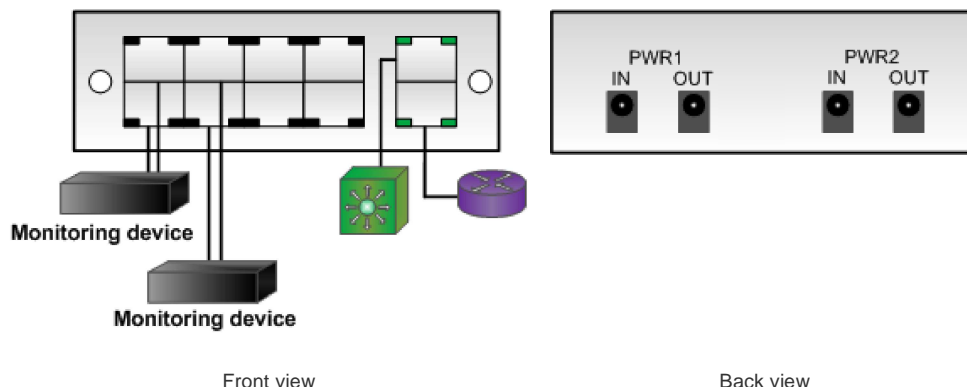
## Optional accessories :



19" Rack Plate 1U (ARP1U-1M)



Filling Plate (AFP1U)



Connectors : 2 + RJ45, 8 pin  
Power: 12V stabilized / 250mA.  
Operating Temperature : 0°C to 50°C  
Storage Temperature : -10°C to 80°C  
Humidity : 10 to 90%, non-condensing  
Rigid metal enclosure, structured black oven painted.  
Dimensions: 14.2 x 10 x 4 cm (WxDxH)  
Weight : 530 gr.